

MAX[®]

NF255SF-ST(CE)

PNEUMATIC BRAD NAILER



OPERATING and MAINTENANCE MANUAL

ENGLISH



WARNING

**BEFORE USING THIS TOOL, STUDY THIS MANUAL TO ENSURE SAFETY
WARNING AND INSTRUCTIONS.
KEEP THESE INSTRUCTIONS WITH THE TOOL FOR FUTURE REFERENCE.**

DEFINITIONS OF SIGNAL WORDS

- WARNING:** Indicates a potentially hazardous situation which, if not avoided, could result in death or serious injury.
- CAUTION:** Indicates a potentially hazardous situation which, if not avoided, may result in minor or moderate injury.
- NOTE:** Emphasizes essential information.

INDEX

1. SAFETY INSTRUCTIONS.....	3
2. SPECIFICATIONS AND TECHNICAL DATA.....	7
3. AIR SUPPLY AND CONNECTIONS	9
4. INSTRUCTIONS FOR OPERATION	10
5. MAINTENANCE	18
6. STORAGE	18
7. TROUBLE SHOOTING/REPAIRS	18

1. SAFETY INSTRUCTIONS



WARNING

TO AVOID SEVERE PERSONAL INJURY OR PROPERTY DAMAGE

BEFORE USING THE TOOL, READ CAREFULLY AND UNDERSTAND THE FOLLOWING "SAFETY INSTRUCTIONS". FAILURE TO FOLLOW WARNINGS COULD RESULT IN DEATH OR SERIOUS INJURY.

PRECAUTIONS ON USING THE TOOL



1. WEAR SAFETY GLASSES OR GOGGLES

Danger to the eyes always exists due to the possibility of dust being blown up by the exhausted air or of a fastener flying up due to the improper handling of the tool. For these reasons, safety glasses or goggles shall always be worn when operating the tool.

The employer and/or user must ensure that proper eye protection is worn. Eye protection equipment must conform to the requirements of Council Directive 89/686/EEC of 21 DEC. 1989 (the American National Standards Institute, ANSI Z87.1) and provide both frontal and side protection.

The employer is responsible to enforce the use of eye protection equipment by the tool operator and all other personnel in the work area.

NOTE: Non-side shielded spectacles and face shields alone do not provide adequate protection.



2. EAR PROTECTION MAY BE REQUIRED IN SOME ENVIRONMENTS

As the working condition may include exposure to high noise levels which can lead to hearing damage, the employer and user should ensure that any necessary hearing protection is provided and used by the operator and others in the work area.



3. DO NOT USE ANY POWER SOURCE EXCEPT AN AIR COMPRESSOR

The tool is designed to operate on compressed air. Do not operate the tool on any other highpressure gas, combustible gases (e.g., oxygen, acetylene, etc.) since there is the danger of an explosion. For this reason, absolutely do not use anything other than an air compressor to operate the tool.

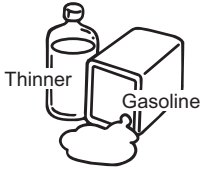


4. OPERATE WITHIN THE PROPER AIR PRESSURE RANGE

The tool is designed to operate within an air pressure range of 4 to 7 bar (60 to 100 p.s.i.).

The pressure should be adjusted to the type of the work being fastened. The tool shall never be operated when the operating pressure exceeds 8 bar (120 p.s.i.).

Never connect the tool to air pressure which potentially exceeds 14 bar (200 p.s.i.) as the tool can burst.



5. DO NOT OPERATE THE TOOL NEAR A FLAMMABLE SUBSTANCE

Never operate the tool near a flammable substance (e.g., thinner, gasoline, etc.). Volatile fumes from these substances could be drawn into the compressor and compressed together with the air and this could result in an explosion.

6. NEVER USE THE TOOL IN AN EXPLOSIVE ATMOSPHERE

Sparks from the tool may ignite atmospheric gases, dust or other combustible materials.

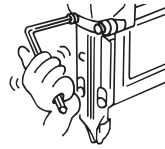
7. DO NOT USE A WRONG FITTINGS

The connector on the tool must not hold pressure when air supply is disconnected. If a wrong fitting is used, the tool can remain charged with air after disconnecting and thus will be able to drive a fastener even after the air line is disconnected, possibly causing injury.



8. DISCONNECT THE AIR SUPPLY AND EMPTY THE MAGAZINE WHEN THE TOOL IS NOT IN USE

Always disconnect the air supply from the tool and empty the magazine when operation has been completed or suspended, when unattended, moving to a different work area, adjusting, disassembling, or repairing the tool, and when clearing a jammed fastener.



9. INSPECT SCREW TIGHTNESS

Loose or improperly installed screws or bolts cause accidents and tool damage when the tool is put into operation. Inspect to confirm that all screws and bolts are tight and properly installed prior to operating the tool.



10. DO NOT TOUCH THE TRIGGER UNLESS YOU INTEND TO DRIVE A FASTENER

Whenever the air supply is connected to the tool, never touch the trigger unless you intend to drive a fastener into the work. It is dangerous to walk around carrying the tool with the trigger pulled, and this and similar actions should be avoided.

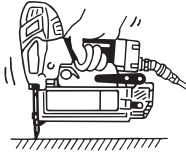


11. NEVER POINT THE DISCHARGE OUTLET TOWARD YOURSELF AND OTHER PERSONNEL

If the discharge outlet is pointed toward people, serious accidents may be caused when misfiring. Be sure the discharge outlet is not pointed toward people when connecting and disconnecting the hose, loading and unloading the fasteners or similar operations.

**12. USE SPECIFIED FASTENERS
(SEE PAGE 7)**

The use of fasteners other than specified fasteners will cause the tool malfunction. Be sure to use only specified fasteners when operating the tool.



13. PLACE THE DISCHARGE OUTLET ON THE WORK SURFACE PROPERLY

Failure to place the discharge outlet in a proper manner can result in a fastener flying up and is extremely dangerous.



14. KEEP HANDS AND BODY AWAY FROM THE DISCHARGE OUTLET

When loading and using the tool, never place a hand or any part of body in fastener discharge area of the tool. It is very dangerous to hit the hands or body by mistake.



15. DO NOT DRIVE FASTENERS CLOSE TO THE EDGE AND CORNER OF THE WORK AND THIN MATERIAL

The workpiece is likely to split and the fastener could fly free and hit someone.



16. DO NOT DRIVE FASTENERS ON TOP OF OTHER FASTENERS

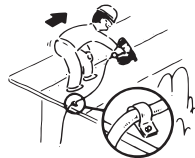
Driving fasteners on the top of other fasteners may cause deflection fasteners which could cause injury.

17. REMOVING THE FASTENERS AFTER COMPLETING OPERATION

If fasteners are left in the magazine after the completion of operation, there is the danger of a serious accident occurring prior to the resumption of operation, should the tool be handled carelessly, or when connecting the air fitting. For this reason, always remove all fasteners remaining in the magazine after completion of the operation.

18. CHECK OPERATION OF THE CONTACT TRIP MECHANISM FREQUENTLY IN CASE OF USING A CONTACT TRIP TYPE TOOL

Do not use the tool if the trip is not working correctly as accidental driving of a fastener may result. Do not interfere with the proper operation of the contact trip mechanism.



19. WHEN USING THE TOOL OUTSIDE OR ELEVATED PLACE

When fastening roofs or similar slanted surface, start fastening at the lower part and gradually work your way up. Fastening backward is dangerous as you may lose your foot place.

Secure the hose at a point close to the area you are going to drive fasteners. Accidents may be caused due to the hose being pulled inadvertently or getting caught.

- 20. NEVER USE THE TOOL IF ANY PORTION OF THE TOOL CONTROLS (e.g., TRIGGER, CONTACT ARM) IS INOPERABLE, DISCONNECTED, ALTERED OR NOT WORKING PROPERLY**

- 21. NEVER ACTUATE THE TOOL INTO FREE SPACE**
This will avoid any hazard caused by free flying fasteners and excessive strain of the tool.

- 22. ALWAYS ASSUME THAT THE TOOL CONTAINS FASTENERS**

- 23. RESPECT THE TOOL AS A WORKING IMPLEMENT**

- 24. NO HORSEPLAY**

- 25. NEVER LOAD THE TOOL WITH FASTENERS WHEN ANY ONE OF THE OPERATING CONTROLS (e.g., TRIGGER, CONTACT ARM) IS ACTIVATED**

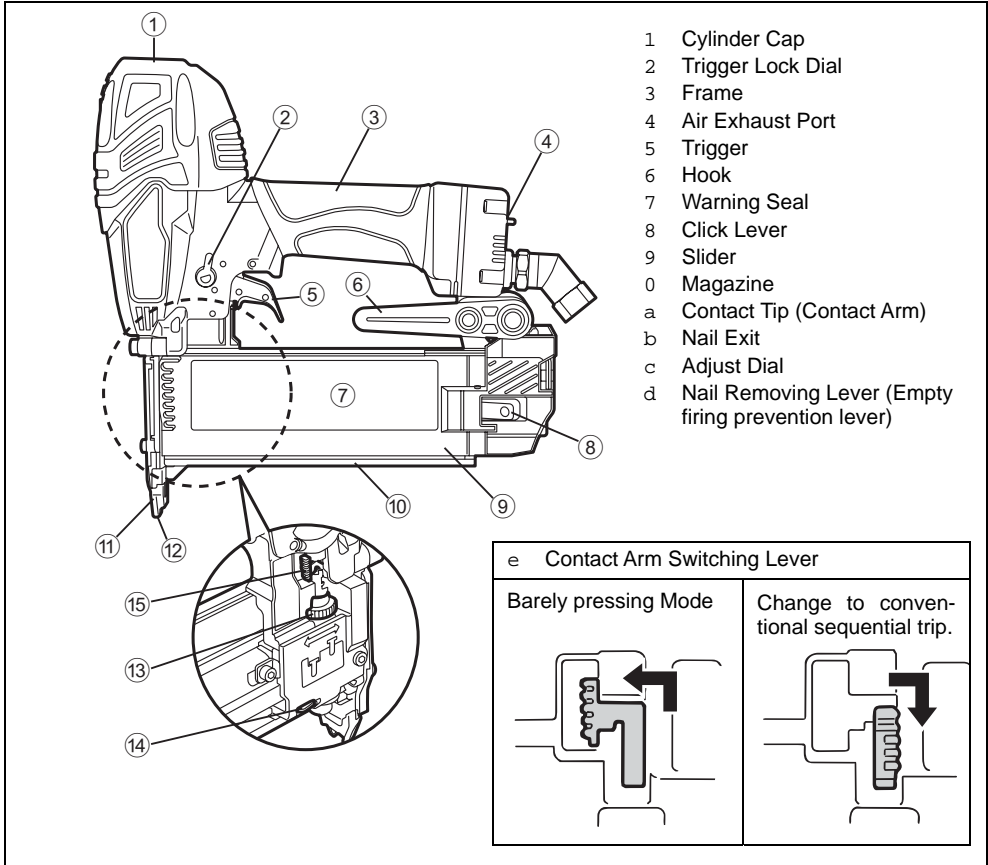
- 26. WHEN DISPOSING THE MACHINE OR ITS PARTS, FOLLOW THE RELEVANT NATIONAL RULES**

OBSERVE THE FOLLOWING GENERAL CAUTION IN ADDITION TO THE OTHER WARNINGS CONTAINED IN THIS MANUAL

- Do not use the tool as a hammer.
- Always carry the tool by the grip, never carry the tool by the air hose.
- The tool must be used only for the purpose it was designed.
- Never remove, tamper with the operating controls (e.g., TRIGGER, CONTACT ARM)
- Keep the tool in a dry place out of reach of children when not in use.
- Do not use the tool without Safety Warning label.
- Do not modify the tool from original design or function without approval by MAX CO., LTD.

2. SPECIFICATIONS AND TECHNICAL DATA

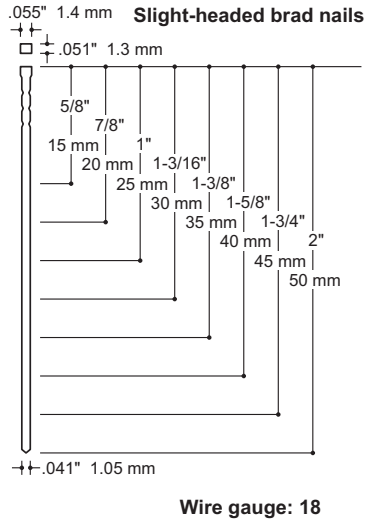
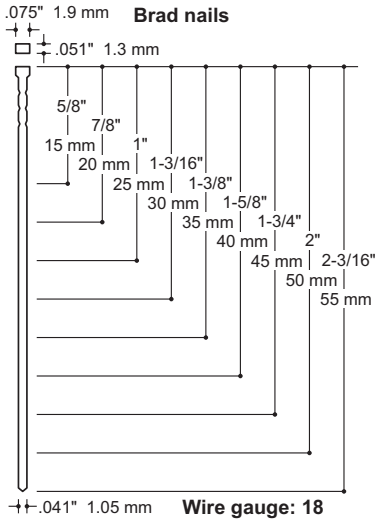
1. NAME OF PARTS



2. TOOL SPECIFICATIONS

PRODUCT NO.	NF255SF-ST (CE)
HEIGHT	237 mm (9-3/8")
WIDTH	65 mm (2-1/2")
LENGTH	261 mm (10-1/4")
WEIGHT	1.2 kg (2.6 lbs.)
RECOMMENDED OPERATING PRESSURE	4 to 7 bar (60 to 100 p.s.i.)
AIR CONSUMPTION	0.56l at 6 bar (90 p.s.i.) operating pressure
ACCESSORIES	Hex. bar wrench, Contact tip, Safety glasses/goggles

3. BRAD NAIL SPECIFICATIONS



- The design of this tool is based on millimetric brad nails.

TOOL AIR FITTINGS:

This tool uses a 1/4" N.P.T. male plug. The inside diameter should be 7mm (.28") or larger. The fitting must be capable of discharging tool air pressure when disconnected from the air supply.

RECOMMENDED OPERATING PRESSURE:

4 to 7 bar (60 to 100 p.s.i.). Select the operating air pressure within this range for best fastener performance.

DO NOT EXCEED 8 bar (120 p.s.i.).

4. TECHNICAL DATA

1 NOISE

A-weighted single-event sound power level
 ----- LWA, 1s, d 82.89 dB

A-weighted single-event emission sound pressure level at work station
 ----- LpA, 1s, d 73.45 dB

These values are determined and documented in accordance to EN12549 : 1999.

- * Door and window casings
- * Plywood, decorative boards, and other interior finish works
- * Penel assembly and moldings
- * Subflooring
- * Furniture assembly including drawer assembly, case back nailing, blind pinning, and other finishing works
- * Cabinet assembly

5. APPLICATIONS

3. AIR SUPPLY AND CONNECTIONS



WARNING

Read section titled "SAFETY INSTRUCTIONS".



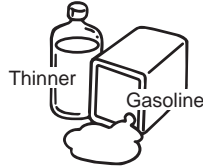
DO NOT USE ANY POWER SOURCE EXCEPT AN AIR COMPRESSOR

The tool is designed to operate on compressed air. Do not operate the tool on any other high-pressure gas, combustible gases (e.g., oxygen, acetylene, etc.) since there is the danger of an explosion. For this reason, absolutely do not use anything other than an air compressor to operate the tool.



OPERATE WITHIN THE PROPER AIR PRESSURE RANGE

The tool designed to operate within an air pressure range of 4 to 7 bar (60 to 100 p.s.i.). The pressure should be adjusted to the type of the work being fastened. The tool shall never be operated when the operating pressure exceeds 8 bar (120 p.s.i.).



DO NOT OPERATE THE TOOL NEAR A FLAMMABLE SUBSTANCE

Never operate the tool near a flammable substance (e.g., thinner, gasoline, etc.). Volatile fumes from these substances could be drawn into the compressor and compressed together with the air and this could result in an explosion.

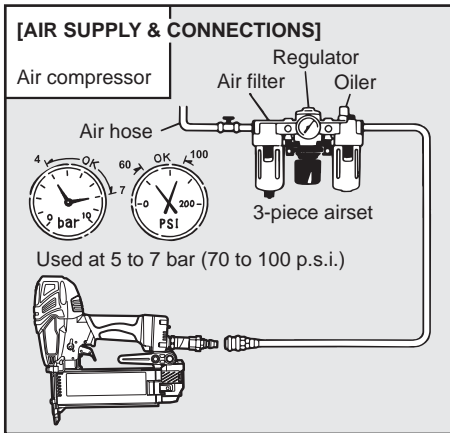
DO NOT USE A WRONG FITTINGS

The connector on the tool must not hold pressure when air supply is disconnected. If a wrong fitting is used, the tool can remain charged with air after disconnecting and thus will be able to drive a fastener even after the air line is disconnected, possibly causing injury.



DISCONNECT THE AIR SUPPLY AND EMPTY THE MAGAZINE WHEN THE TOOL IS NOT IN USE

Always disconnect the air supply from the tool and empty the magazine when operation has been completed or suspended, when unattended, moving to a different work area, adjusting, disassembling, or repairing the tool, and when clearing a jammed fastener.



FITTINGS: Install a male plug on the tool which is free flowing and which will release air pressure from the tool when disconnected from the supply source.

HOSES: Hose has a min. ID of 6 mm (1/4") and max. length of no more than 5 meters (17"). The supply hose should contain a fitting that will provide "quick disconnecting" from the male plug on the tool.

SUPPLY SOURCE: Use only clean regulated compressed air as a power source for the tool.

3-PIECE AIRSET (Air filter, Regulator, Oiler): Refer to TOOL SPECIFICATIONS for setting the correct operating pressure for the tool.

NOTE:

A filter will help to get the best performance and minimum wear from the tool because dirt and water in the air supply are major causes of wear in the tool.

Frequent, but not excessive, lubrication is required for the best performance. Oil added thru the air line connection will lubricate the internal parts.

4. INSTRUCTIONS FOR OPERATION

Read section titled "SAFETY INSTRUCTIONS".

1. BEFORE OPERATION

Check the following prior operation.

- 1 Wear Safety Glasses or Goggles.
- 2 Do not connect the air supply.
- 3 Inspect screw tightness.
- 4 Check operation of the contact arm & trigger if moving smoothly.
- 5 Connect the air supply.
- 6 Check the air-leakage. (The Tool must not have the air-leakage.)
- 7 Hold the Tool with finger-off the trigger, then push the contact arm against the work-piece. (The tool must not operate.)
- 8 Hold the Tool with contact arm free from work-piece and pull the trigger. (The Tool must not operate.)
- 9 Disconnect the air supply.



WARNING



2. OPERATION

Wear safety glasses or goggles. Danger to the eyes always exists due to the possibility of dust being blown up by the exhausted air or of a fastener flying up due to the improper handling of the tool. For these reasons, safety glasses or goggles shall always be worn when operating the tool.

The employer and/or user must ensure that proper eye protection is worn. Eye protection equipment must conform to the requirements of Council Directive 89/686/EEC of 21 DEC. 1989 (the American National Standards Institute, ANSI Z87.1) and provide both frontal and side protection.

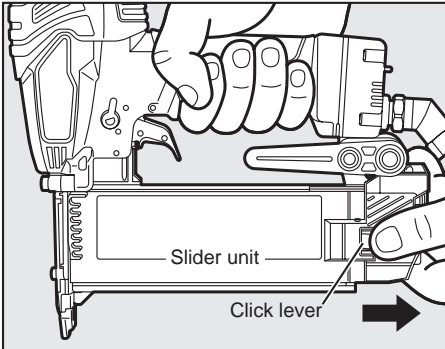
The employer is responsible to enforce the use of eye protection equipment by the tool operator and all other personnel in the work area.

NOTE: Non-side shielded spectacles and face shields alone do not provide adequate protection.

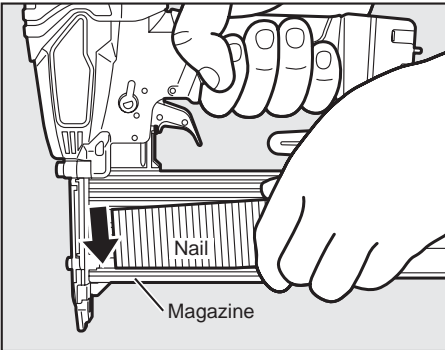


Keep hands and body away from the discharge outlet when driving the fasteners because of dangerous of hitting the hands or body by mistake.

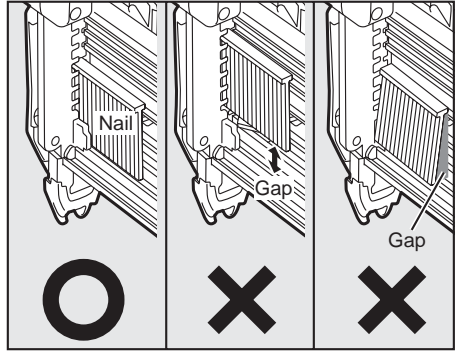
NAIL LOADING



- 1 Push the click lever and pull the slider unit gently as far as it will go.



- 2 Insert the nails into the magazine.
- 3 Push the slider unit forward until it stops.



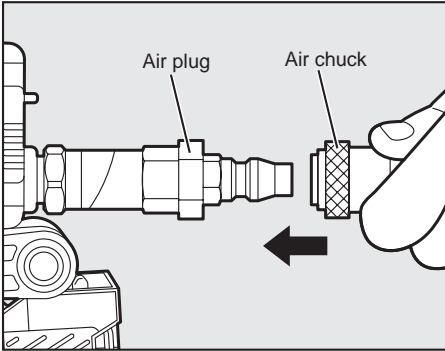
NOTE:

Ensure the point of nail stick to be ridden in the bottom of magazine.

TEST OPERATION

- 1 Adjust the air pressure at 5 bar (70 p.s.i.) and connect the air supply.
- 2 Without touching the trigger, depress the contact arm against the work-piece. Pull the trigger. (The tool must fire the fastener.)
- 3 With the tool off the work-piece, pull the trigger. Then depress the contact arm against the work-piece. (The tool must fire the fastener.)
- 4 Adjust the air pressure as much as the lowest possible according the length of fastener and the hardness of work-piece.

AIR HOSE CONNECTION



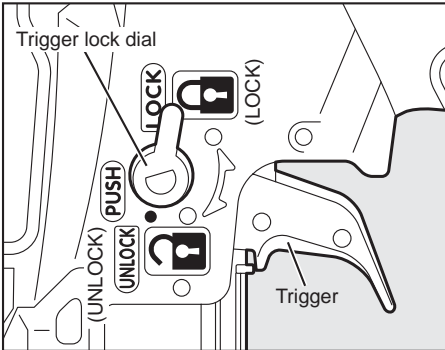
Connect the air chuck to the air plug.



WARNING

When connecting the air chuck, do not point the staple discharge outlet at any part of your body or at another person, and do not touch the trigger.

TRIGGER LOCK MECHANISM



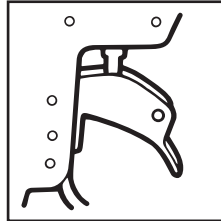
The tool is equipped with a trigger lock mechanism. Push the trigger LOCK to the trigger UNLOCK position before driving nails.

MODEL IDENTIFICATION

SEQUENTIAL TRIP

The Sequential Trip requires the operator to hold the tool against the work before pulling the trigger. This makes accurate fastener placement easier, for instance on framing, toe nailing and crating applications. The Sequential Trip allows exact fastener location without the possibility of driving a second fastener on recoil, as described under "Contact Trip".

The Sequential Trip Tool has a positive safety advantage because it will not accidentally drive a fastener if the tool is contacted against the work-or anything else-while the operator is holding the trigger pulled.



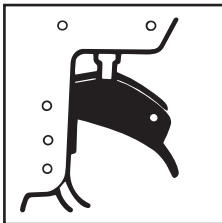
SEQUENTIAL TRIP

Identified by **ORANGE TRIGGER**.

CONTACT TRIP (A contact trip is not provided for this tool.)

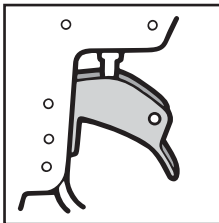
The common operating procedure on "Contact Trip" tools is for the operator to contact the work to actuate the trip mechanism while keeping the trigger pulled, thus driving a fastener each time the work is contacted. This will allow rapid fastener placement on many jobs, such as sheathing, decking and pallet assembly.

All pneumatic tools are subject to recoil when driving fasteners. The tool may bounce, releasing the trip, and if unintentionally allowed to recontact the work surface with the trigger still actuated (finger still holding trigger pulled) an unwanted second fastener will be driven.



CONTACT TRIP

Identified by **BLACK TRIGGER**.



CONTACT TRIP WITH ANTI-DOUBLE FIRE MECHANISM

(US patent 5597106, UK patent 2286790)
Identified by **RED TRIGGER**.

DRIVING FASTENERS

PRESSING METHOD SELECTING MECHANISM (Contact Arm Switching Mechanism)

In this equipment, the contact arm switching lever may be used to change the contact arm position.

	Contact Arm Switching Lever	Contact Arm Tip Condition	Nail Driving Method
Barely pressing Mode			Barely pressing the contact arm to the material, it is possible to drive in the nail simply by pulling the trigger. This allows nails to be precisely driven in at a desired location without damaging the material.
Change to conventional sequential trip.			Lightly pressing the contact arm against the material, it is possible to drive in the nail by pulling the trigger. The contact arm plays a cushioning role, allowing the machine to be used in a similar way to previous tools.

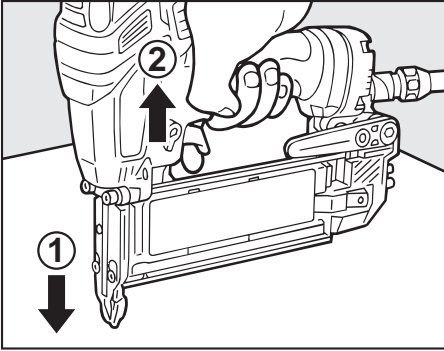
At the time of shipment, the equipment is set to the "Barely pressing Mode".



In Barely pressing Mode, the contact arm gives little travel when driving the fasteners. Keep hands and body away from the discharge outlet when driving the fasteners because of dangerous of hitting the hands or body by mistake.

SINGLE FIRE OPERATION

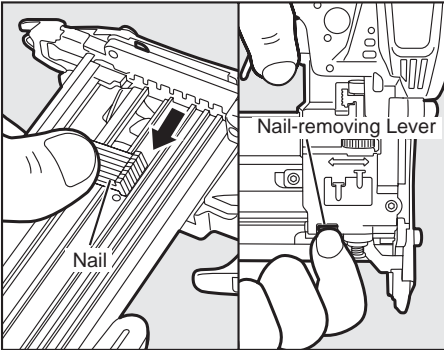
For single fire operation, depress the contact arm against the work surface and pull the trigger. Tool can not fire a second nail until the trigger is released and tool can cycle.



PROCEDURE

- 1 Depress the contact arm.
- 2 Pull the trigger.

LOCK-OUT MECHANISM



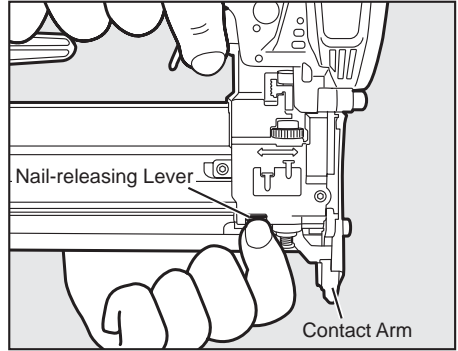
Lock-out mechanism prohibits the tool from operating unless nails are in magazine. Notifies operator that reloading is necessary.

When removing nails, lock the trigger and detach the air hose. Remove the nail while pressing the nail-releasing lever, then release the lever.



CAUTION

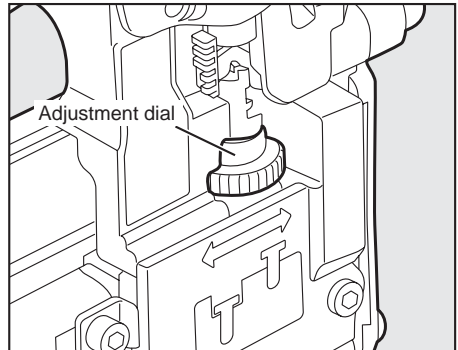
Never carry out nail driving while pressing the nail-releasing lever, since nails will become jammed and may cause equipment breakdown.



* This equipment incorporates an empty-firing prevention device so that the contact arm will not move when there is no nail loaded. In order to confirm the operation of the safety equipment or to check the movement of the contact arm, carry out the operations while pressing the nail-releasing lever to release the empty-firing prevention device.

* Confirm these operations when there are no nails loaded.

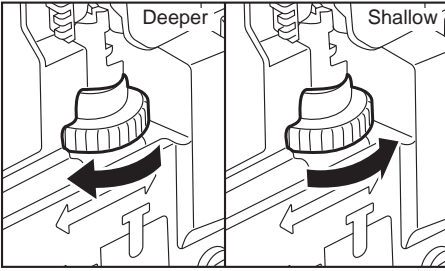
DRIVING DEPTH ADJUSTMENT DIAL



WARNING

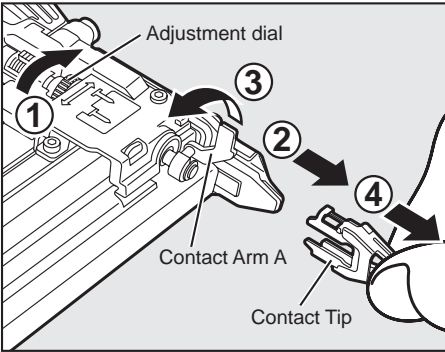
ALWAYS disconnect air supply before adjusting adjustment dial.

- 1 With air pressure set, drive a few nails into a representative material sample to determine if adjustment is necessary.
- 2 If adjustment is required, disconnect air supply.



- 3 Refer to the figure for direction to turn the dial.
- 4 Reconnect air supply.

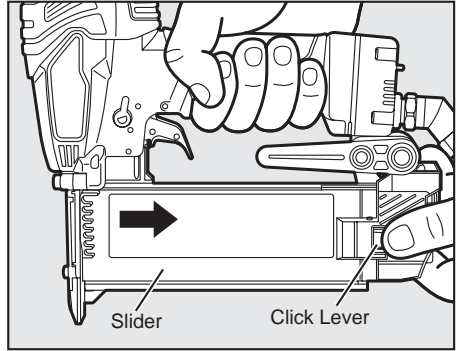
THE CONTACT TIP



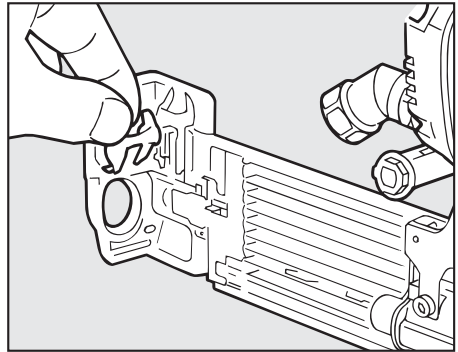
WARNING

ALWAYS disconnect air supply before setting the contact tip. Set the contact tip on the top of the contact arm, when driving nails to a soft material.

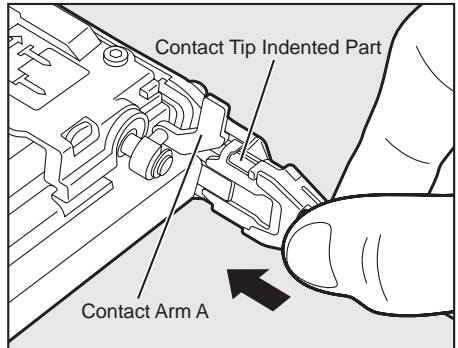
- 1 Lock the trigger, and detach the air hose.
- 2 Remove the nails from inside the magazine.
- 3 Set the adjusting dial to the position where the nails stick up the highest (1).
- 4 Pull the contact tip (2), lift up the contact arm A (3), and remove the contact tip (4).



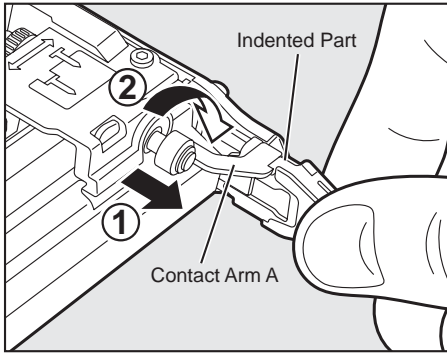
- 5 While pressing the click lever, pull out the slider.



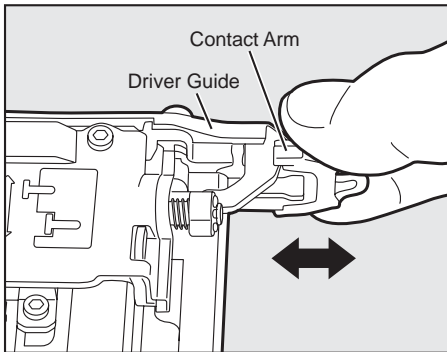
- 6 Remove the contact tip that is stored inside the rear part of the slider.



- 7 Keeping the indented part of the removed contact tip on the contact arm A side, insert the unit on the nose tip.



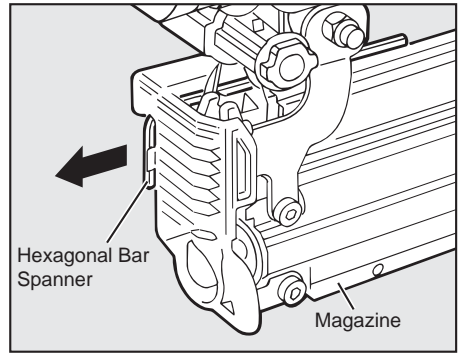
8 Pulling on the contact arm A (1), insert it into the indented part of the contact tip (2).



8 Pinching the contact arm, move it up and down to confirm that it moves smoothly.

* Confirm that the contact arm A is correctly inserted in the inside of the driver guide.

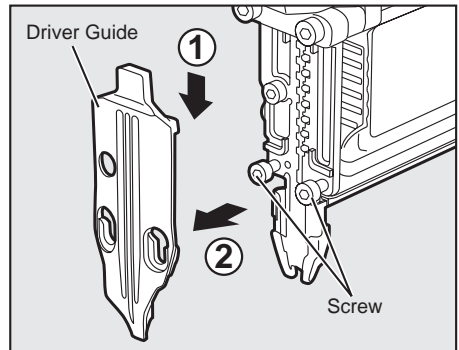
CLEARING JAMMED NAILS



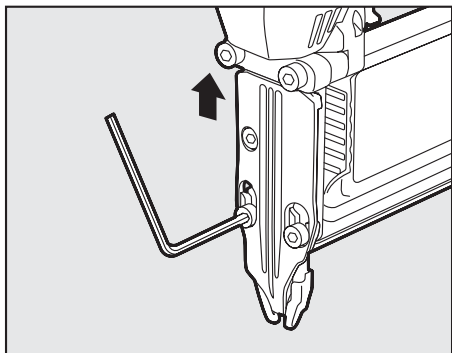
WARNING

ALWAYS disconnect air supply before clearing jammed fastener.

- 1 Remove the nails from inside the magazine.
- 2 Pull out the hexagonal bar spanner stored in the magazine rear part.



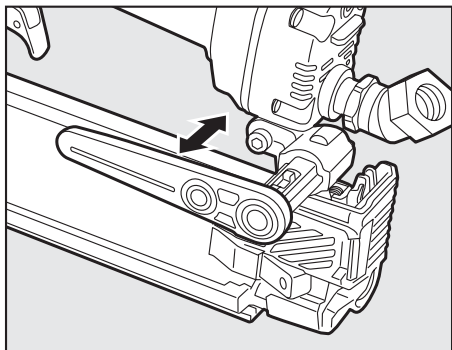
- 3 Loosen the screws that fix the driver guide, displace the guide in the tip direction (1), and remove it (2).
- 4 Remove the jammed nail.



5 Mount the driver guide, and securely tighten the screws.

* In the situation where the driver guide is difficult to mount, remove the screws completely before mounting the guide.

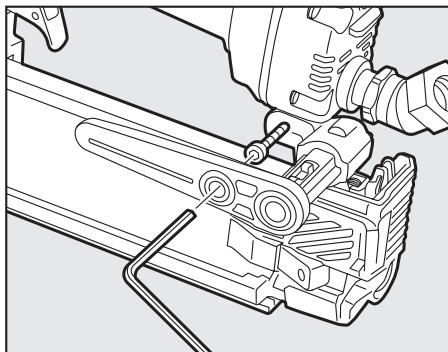
CONCERNING THE HOOK



It is possible to change the hook width by sliding the hook.

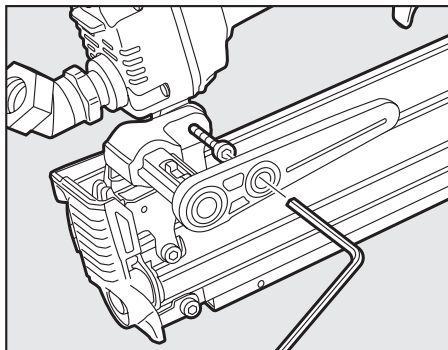
* Before storing the equipment in the carrying case, narrow the width of the hook.

METHOD OF CHANGING THE HOOK DIRECTION



It is also possible to mount the hook on the right hand side of the main unit.

1 Remove the screw using a hexagonal spanner (4mm).



2 Mount the hook on the right hand side of the main unit, and reinsert and tighten the screw.

5. MAINTENANCE

1 ABOUT PRODUCTION YEAR

This product bears production number at the lower part of the grip of the main body. The two digits of the number from left indicates the production year.

(Example)

0 8 8 2 6 0 3 5 D

|

Year 2008

2 DO NOT FIRE THE STAPLER WHEN IT IS EMPTY

3 USE A 3-PIECE AIRSET

Failure to use a 3-piece airset allows the moisture and dirt inside compressor to pass into the tool directly. This causes rust and wear, and results in a poor operating performance. The hose length between airset and tool should be no longer than 5 m since a longer length results in a reduction in air pressure.

4 USE RECOMMENDED OIL

The velocite or turbine oil should be used to lubricate the tool. Upon completion of operations, place 2 or 3 drops of oil into the air plug inlet with the jet oiler. (Recommended Oil : ISO VG32)

5 INSPECT AND MAINTAIN DAILY OR BEFORE OPERATION



WARNING

Disconnect air supply and empty the magazine when inspecting or maintaining the tool.

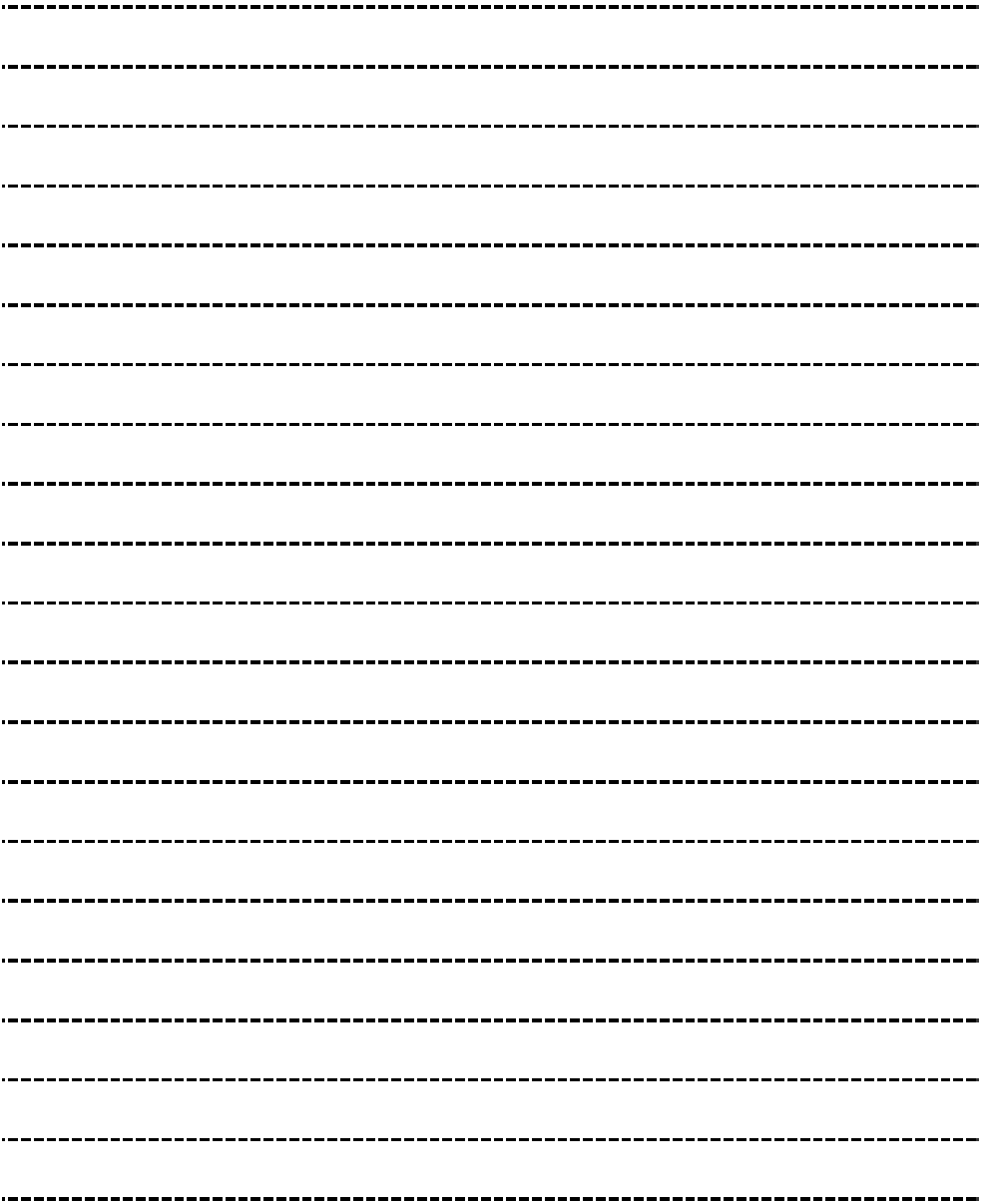
- (1) Drain air line filter and compressor
- (2) Keep lubricator filled in air 3-pieces set
- (3) Clean filter element of air 3-pieces set
- (4) Tighten all screws
- (5) Keep contact arm moving smoothly

6. STORAGE

- 1 When not in use for an extended period, apply a thin coat of the lubricant to the steel parts to avoid rust.
- 2 Do not store the tool in a cold weather environment. Keep the tool in a warm area.
- 3 When not in use, the tool should be stored in a warm and dry place. Keep out of reach of children.
- 4 All quality tools will eventually require servicing or replacement of parts because of wear from the normal use.

7. TROUBLE SHOOTING/REPAIRS

The troubleshooting and/or repairs shall be carried out only by the MAX CO., LTD. authorised distributors or by other specialists.



- The content of this manual might be changed without notice for improvement.
- The specifications and design of the products in this manual will be subject to change without advance notice due to our continuous efforts to improve the quality of our products.



MAX EUROPE GMBH

OSTSTRASSE 22, 40211
DÜSSELDORF, GERMANY
TEL: +49-211-9365300
FAX: +49-211-93653017

MAX EUROPE BV

Camerastraat 19
1322 BB Almere The Netherlands
Phone: +31-36-546-9699
FAX: +31-36-536-3985

www.max-ltd.co.jp/int/ (GLOBAL Site)

www.max-europe.com (EUROPE Site)

