

CONSTRUCTION COIL NAILER



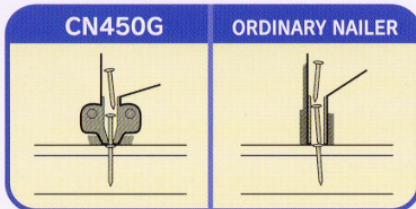
CN450G

drives 25~50mm (1"~2") flat plastic sheet collated nails



FEATURES

- **Well balanced and lightest weight of this class**
Weight only 1.66kg (3.66 lbs). Compact and well balanced body.
- **Anti-double fire mechanism** (UK Patent No.2286790, Pending other countries)
The mechanism allows both bounce firing and single-shot firing. It won't give you a double-shot when the contact arm reacts to the nailers recoil. A great safety feature!
- **Depth control dial**
Nails depth is easily adjusted by manually turning the depth dial.
- **Straight drive**
A pair of nail holders installed at the tip of the nose ensures that nails are driven straight, preventing damage to the drywall board or roofing material.

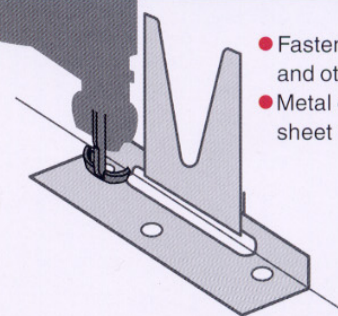


- **Multi-directional exhaust cover**
- **Portable plastic carrying case**
- **Rubber comfort grip**
The rubber grip allows for more secure handling, reducing user fatigue.

TOOL SPECIFICATIONS

MODEL	CN450G
WEIGHT	1.66kg (3.66 lbs)
DIMENSIONS	299(H)×133(W)×260(L)mm 11-3/4"×5-1/4"×10-3/8"
LOAD CAPACITY	200 nails
OPERATING PRESSURE	4~7kg/cm ² (Regulator) 60~100p.s.i.
AIR CONSUMPTION	0.88l/cycle at 6 bar (90p.s.i.) operating pressure
NOISE	A-weighted single-event sound power level LWA, 1s, d 88.20 dB A-weighted single-event emission sound pressure level at work station LpA, 1s, d 89.04 dB These values are determined and documented in accordance to CEN/TC 255 WG 1 N 45.3 E. (EN-standard in preparation)
VIBRATION	Vibration characteristic value = 3.43m/s ² These values are determined and documented in accordance to ISO 8668-11

APPLICATIONS



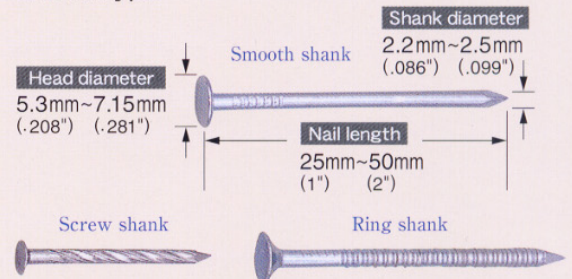
- Fastening gypsum board and other interior boards.
- Metal connector for metal sheet roof.

FASTENERS AVAILABLE

- ▼ Collation type
15 degree flat plastic sheet collated nails.



- ▼ Shank type



The specifications and design of the products in this catalogue will be subject to change without advance notice due to our continuous efforts to improve quality of our products.



MAX CO.,LTD.

6-6,NIHONBASHI,HAKOZAKI-CHO,CHUO-KU,TOKYO,JAPAN
PHONE:TOKYO 3669-8131 FAX:TOKYO 3669-7104

Distributor:



Printed on
Recycled Paper

PRINTED IN JAPAN
OS902AN T9907