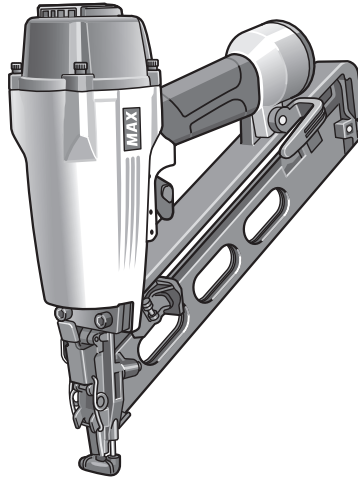


NF665A/15(CE)

MAX[®]

15 GA. FINISH NAILER
WINKEL-NAGELPISTOLE FÜR 15-
GA-STIFTNÄGEL
CLOUEUR DE FINITION A ANGLE
DE 15 Ga
15 GA. CHIODATRICE DI FINIZIONE
ANGOLATA
CLAVADORA DE ACABADO AN-
GULAR DE CALIBRE 15



OPERATING AND MAINTENANCE MANUAL BETRIEBSANLEITUNG MANUEL D'UTILISATION ET D'ENTRETIEN MANUALE DI FUNZIONAMENTO E MANUTENZIONE MANUAL DE OPERACIONES Y MANTENIMIENTO

Original Language English



WARNING

BEFORE USING THIS TOOL, STUDY THIS MANUAL TO ENSURE SAFETY WARNING AND INSTRUCTIONS.
KEEP THESE INSTRUCTIONS WITH THE TOOL FOR FUTURE REFERENCE.



WARNUNG

LESEN SIE VOR INBETRIEBNAHME DES GERÄTES DIE GEBRAUCHS- UND SICHERHEITSHINWEISE.
BITTE BEWAHREN SIE DIE GEBRAUCHS- UND SICHERHEITSHINWEISE AUF, DAMIT SIE AUCH SPÄTER EINGESEHEN WERDEN KÖNNEN.



AVERTISSEMENT

AVANT D'UTILISER CET OUTIL, LIRE CE MANUEL ET LES CONSIGNES DE SÉCURITÉ AFIN DE GARANTIR UN FONCTIONNEMENT SÛR.
CONSERVER CE MANUEL EN LIEU SÛR AVEC L'OUTIL AFIN DE POUVOIR LE CONSULTER UL-TÉRIEUREMENT.



ATTENZIONE

PRIMA DI USARE QUESTO STRUMENTO, STUDIARE IL MANUALE PER PRENDERE ATTO DELLE AVVERTENZE E DELLE ISTRUZIONI PER LA SICUREZZA.
TENERE QUESTE ISTRUZIONI INSIEME ALLO STRUMENTO PER CONSULTAZIONI FUTURE.



ADVERTENCIA

ANTES DE UTILIZAR ESTA HERRAMIENTA, LEA DETENIDAMENTE ESTE MANUAL PARA FAMILIARIZARSE CON LAS ADVERTENCIAS E INSTRUCCIONES DE SEGURIDAD.
CONSERVE ESTAS INSTRUCCIONES JUNTO CON LA HERRAMIENTA PARA FUTURAS CONSULTAS.

INDEX INHALTSVERZEICHNIS INDEX INDICE ÍNDICE

ENGLISH	Page	3	to	12
DEUTSCH	Page	13	to	22
FRANÇAIS	Page	23	to	32
ITALIANO	Page	33	to	42
ESPAÑOL	Page	43	to	52

www.max-europe.com

DEFINITIONS OF SIGNAL WORDS

- WARNING:** Indicates a potentially hazardous situation which, if not avoided, could result in death or serious injury.
- CAUTION:** Indicates a potentially hazardous situation which, if not avoided, may result in minor or moderate injury.
- NOTE:** Emphasizes essential information.

DEFINITIONEN DER HINWEISBEZEICHNUNGEN

- WARNUNG:** Zeigt eine eventuell gefährliche Situation an, die den Tod oder schwere Verletzungen zur Folge haben könnte, wenn sie nicht vermieden wird.
- VORSICHT:** Zeigt eine eventuell gefährliche Situation an, die leichte oder mittelschwere Verletzungen zur Folge haben könnte, wenn sie nicht vermieden wird.
- HINWEIS:** Hebt wichtige Informationen hervor.

DÉFINITIONS DES DIFFÉRENTS DEGRÉS D' AVERTISSEMENTS

- AVERTISSEMENT:** Indique une situation éventuellement dangereuse qui, si elle n'est pas contournée, pourrait provoquer la mort ou des blessures sérieuses.
- ATTENTION:** Indique une situation éventuellement dangereuse qui, si elle n'est pas contournée, pourrait provoquer des blessures légères à moyennement sérieuses.
- REMARQUE:** Souligne des informations importantes.

DEFINIZIONE DELLE INDICAZIONI DI AVVERTIMENTO

- ATTENZIONE:** Indica l'eventualità che possa verificarsi una situazione pericolosa, la quale se non viene evitata, può risultare letale o provocare gravi lesioni.
- AVVERTENZA:** Indica l'eventualità che possa verificarsi una situazione pericolosa, la quale se non viene evitata, può provocare lesioni di lieve o media entità.
- NOTA:** Evidenzia informazioni importanti.

DEFINICIÓN DE LAS INDICACIONES DE ADVERTENCIA

- ADVERTENCIA:** Indica una situación potencialmente peligrosa que podría causar la muerte o graves lesiones si no se evita.
- PRECAUCIÓN:** Indica una situación potencialmente peligrosa que podría causar lesiones menos graves o leves si no se evita.
- NOTA:** Resalta informaciones importantes.

ENGLISH

OPERATING AND MAINTENANCE MANUAL

INDEX

1. GENERAL SAFETY WARNINGS	3
2. SAFETY WARNING	4
3. SPECIFICATIONS AND TECHNICAL DATA	7
4. AIR SUPPLY AND CONNECTIONS	8
5. INSTRUCTIONS FOR OPERATION	8
6. MAINTENANCE	12
7. STORAGE	12
8. TROUBLE SHOOTING/REPAIRS	12



WARNING

BEFORE USING THIS TOOL, STUDY THIS MANUAL TO ENSURE SAFETY WARNING AND INSTRUCTIONS. KEEP THESE INSTRUCTIONS WITH THE TOOL FOR FUTURE REFERENCE.

1. GENERAL SAFETY WARNINGS



WARNING

READ ALL SAFETY WARNINGS AND ALL INSTRUCTIONS.

Failure to follow the warnings and instructions may result in death serious injury. **Save all warnings and instructions for future reference.**



1. WEAR SAFETY GLASSES OR GOGGLES

Danger to the eyes always exists due to the possibility of dust being blown up by the exhausted air or of a fastener flying up due to the improper handling of the tool. For these reasons, safety glasses or goggles shall always be worn when operating the tool.

The employer and/or user must ensure that proper eye protection is worn. Eye protection equipment must conform to the requirements of the Council Directive 89/686/EEC of 21 DEC. 1989 (American National Standards Institute, ANSI Z87.1) and provide both frontal and side protection.

The employer is responsible to enforce the use of eye protection equipment by the tool operator and all other personnel in the work area.

NOTE: Non-side shielded spectacles and face shields alone do not provide adequate protection.



2. EAR PROTECTION MAY BE REQUIRED IN SOME ENVIRONMENTS

As the working condition may include exposure to high noise levels which can lead to hearing damage, the employer and user should ensure that any necessary hearing protection is provided and used by the operator and others in the work area.



3. KEEP HANDS AND BODY AWAY FROM THE DISCHARGE OUTLET

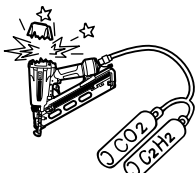
When loading and using the tool, never place a hand or any part of body in fastener discharge area of the tool. It is very dangerous to hit the hands or body by mistake.



4. DO NOT USE ON SCAFFOLDINGS AND LADDERS

Do not use on scaffoldings and ladders with fastener driving tools equipped with contact actuation or continuous contact actuation.

2. SAFETY WARNING



1. DO NOT USE ANY POWER SOURCE EXCEPT AN AIR COMPRESSOR

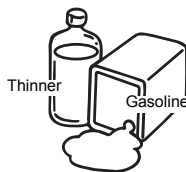
The tool is designed to operate on compressed air. Do not operate the tool on any other highpressure gas, combustible gases (e.g., oxygen, acetylene, etc.) since there is the danger of an explosion. For this reason, absolutely do not use anything other than an air compressor to operate the tool.



2. OPERATE WITHIN THE PROPER AIR PRESSURE RANGE

The tool is designed to operate within an air pressure range of 5 to 7 bar (70 to 100 p.s.i.).

The pressure should be adjusted to the type of the work being fastened. The tool shall never be operated when the operating pressure exceeds 8.3 bar (120 p.s.i.). Never connect the tool to air pressure which potentially exceeds 13.8 bar (200 p.s.i.) as the tool can burst.



3. DO NOT OPERATE THE TOOL NEAR A FLAMMABLE SUBSTANCE

Never operate the tool near a flammable substance (e.g., thinner, gasoline, etc.). Volatile fumes from these substances could be drawn into the compressor and compressed together with the air and this could result in an explosion.

4. NEVER USE THE TOOL IN AN EXPLOSIVE ATMOSPHERE

Sparks from the tool may ignite atmospheric gases, dust or other combustible materials.

5. DO NOT USE A WRONG FITTINGS

The connector on the tool must not hold pressure when air supply is disconnected. If a wrong fitting is used, the tool can remain charged with air after disconnecting and thus will be able to drive a fastener even after the air line is disconnected, possibly causing injury.



6. DISCONNECT THE AIR SUPPLY AND EMPTY THE MAGAZINE WHEN THE TOOL IS NOT IN USE

Always disconnect the air supply from the tool and empty the magazine when operation has been completed or suspended, when unattended, moving to a different work area, adjusting, disassembling, or repairing the tool, and when clearing a jammed fastener.



7. INSPECT SCREW TIGHTNESS

Loose or improperly installed screws or bolts cause accidents and tool damage when the tool is put into operation. Inspect to confirm that all screws and bolts are tight and properly installed prior to operating the tool.



8. DO NOT TOUCH THE TRIGGER UNLESS YOU INTEND TO DRIVE A FASTENER

Whenever the air supply is connected to the tool, never touch the trigger unless you intend to drive a fastener into the work. It is dangerous to walk around carrying the tool with the trigger pulled, and this and similar actions should be avoided.

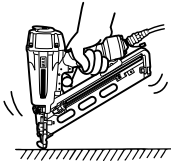


9. NEVER POINT THE DISCHARGE OUTLET TOWARD YOURSELF AND OTHER PERSONNEL

If the discharge outlet is pointed toward people, serious accidents may be caused when misfiring. Be sure the discharge outlet is not pointed toward people when connecting and disconnecting the hose, loading and unloading the fasteners or similar operations.

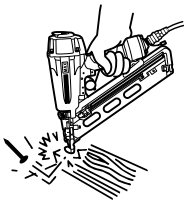
10. USE SPECIFIED FASTENERS (SEE PAGE 7)

The use of fasteners other than specified fasteners will cause the tool malfunction. Be sure to use only specified fasteners when operating the tool.



11. PLACE THE DISCHARGE OUTLET ON THE WORK SURFACE PROPERLY

Failure to place the discharge outlet of the nose in a proper manner can result in a fastener flying up and is extremely dangerous.



12. DO NOT DRIVE FASTENERS CLOSE TO THE EDGE AND CORNER OF THE WORK AND THIN MATERIAL

The workpiece is likely to split and the fastener could fly free and hit someone.



13. DO NOT DRIVE FASTENERS ON TOP OF OTHER FASTENERS

Driving fasteners on the top of other fasteners may cause deflection fasteners which could cause injury.

14. REMOVING THE FASTENERS AFTER COMPLETING OPERATION

If fasteners are left in the magazine after the completion of operation, there is the danger of a serious accident occurring prior to the resumption of operation, should the tool be handled carelessly, or when connecting the air fitting. For this reason, always remove all fasteners remaining in the magazine after completion of the operation.

15. CHECK OPERATION OF THE CONTACT TRIP MECHANISM FREQUENTLY IN CASE OF USING A CONTACT TRIP TYPE TOOL

Do not use the tool if the trip is not working correctly as accidental driving of a fastener may result. Do not interfere with the proper operation of the contact trip mechanism.



16. WHEN USING THE TOOL OUTSIDE OR ELEVATED PLACE

When fastening roofs or similar slanted surface, start fastening at the lower part and gradually work your way up. Fastening backward is dangerous as you may lose your foot place.

Secure the hose at a point close to the area you are going to drive fasteners. Accidents may be caused due to the hose being pulled inadvertently or getting caught.

17. NEVER USE THE TOOL IF ANY PORTION OF THE TOOL CONTROLS (e.g., TRIGGER, CONTACT ARM) IS INOPERABLE, DISCONNECTED, ALTERED OR NOT WORKING PROPERLY

18. NEVER ACTUATE THE TOOL INTO FREE SPACE

This will avoid any hazard caused by free flying fasteners and excessive strain of the tool.

19. ALWAYS ASSUME THAT THE TOOL CONTAINS FASTENERS

20. RESPECT THE TOOL AS A WORKING IMPLEMENT

21. NO HORSEPLAY

22. NEVER LOAD THE TOOL WITH FASTENERS WHEN ANY ONE OF THE OPERATING CONTROLS (e.g., TRIGGER, CONTACT ARM) IS ACTIVATED

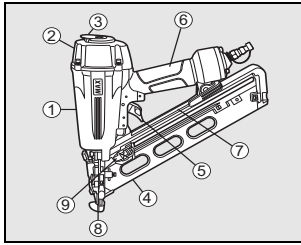
23. WHEN DISPOSING THE MACHINE OR ITS PARTS, FOLLOW THE RELEVANT NATIONAL RULES
24. ALWAYS WEAR HEAD PROTECTION, SAFETY SHOES AND MASK FOR APPROPRIATE CONDITIONS

OBSERVE THE FOLLOWING GENERAL CAUTION IN ADDITION TO THE OTHER WARNINGS CONTAINED IN THIS MANUAL

- Do not use the tool as a hammer.
- Always carry the tool by the grip, never carry the tool by the air hose.
- The tool must be used only for the purpose it was designed.
- Never remove, tamper with the operating controls (e.g., TRIGGER, CONTACT ARM)
- Keep the tool in a dry place out of reach of children when not in use.
- Do not use the tool without Safety Warning label.
- Do not modify the tool from original design or function without approval by MAX CO., LTD.
- Do not use the tool when you feel something unusual. (Air leak, strange noise, operating unusually.)

3. SPECIFICATIONS AND TECHNICAL DATA

1. NAME OF PARTS



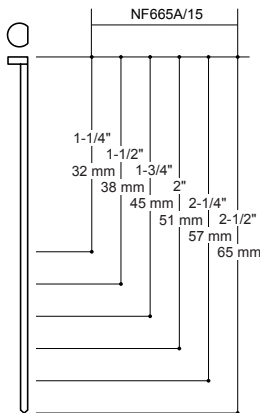
- ① Frame
- ② Cylinder Cap
- ③ Exhaust Cover
- ④ Magazine
- ⑤ Trigger
- ⑥ Grip
- ⑦ Warning Label
- ⑧ Outlet
- ⑨ Pusher

2. TOOL SPECIFICATIONS

PRODUCT NO.	NF665A/15
HEIGHT	322 mm (12-5/8")
WIDTH	94 mm (3-11/16")
LENGTH	322 mm(12-5/8")
WEIGHT	1.8 kg (3.97 lbs)
RECOMMENDED OPERATING PRESSURE	5 to 7 bar (70 to 100 p.s.i.)
LOADING CAPACITY	106 Nails
AIR CONSUMPTION	1.44 l (0.051ft ³) at 7 bar operating pressure

* The machine has been compactly designed in order to improve operating weight balance.

3. BRAD NAIL SPECIFICATIONS



Wire gauge: 15

TOOL AIR FITTINGS:

This tool uses a 1/4" N.P.T. male plug. The inside diameter should be 7mm (.28") or larger. The fitting must be capable of discharging tool air pressure when disconnected from the air supply.

RECOMMENDED OPERATING PRESSURE:

5 to 7 bar (70 to 100 p.s.i.). Select the operating air pressure within this range for best fastener performance.

DO NOT EXCEED 8.3 bar (120 p.s.i.).

4. TECHNICAL DATA

① NOISE

A-weighted single-event sound power level

----- LWA, 88.8 dB

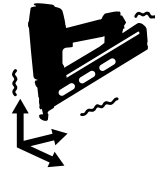
Uncertainty (KWA): 3 dB

A-weighted single-event emission sound pressure level at work station

----- LpA, 87.2 dB

Uncertainty (KpA): 3 dB

These values are determined and documented in accordance with EN12549 : 1999.



② VIBRATION

Vibration characteristic value

= 3.04 m/s²

Uncertainty(K): 1.5 m/s²

These values are determined and documented in accordance with ISO 8662-11.

This value is a tool-related characteristic value and does not represent the influence to the hand-arm-system when using the tool. An influence to the hand-arm-system when using the tool will, for example, depend on the gripping force, the contact pressure force, the working direction, the adjustment of mains supply, the workpiece, the workpiece support.

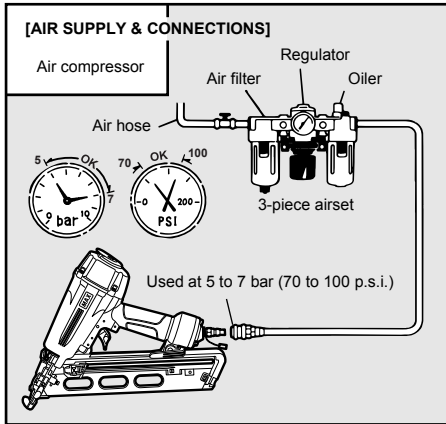
5. APPLICATIONS

- * Door and window casings
- * Plywood, decorative boards, and other interior finish works
- * Panel assembly and moldings
- * Sub flooring
- * Furniture assembly including drawer assembly, case back nailing, blind pinning, and other finishing works
- * Cabinet assembly

4. AIR SUPPLY AND CONNECTIONS



WARNING



FITTINGS: Install a male plug on the tool which is free flowing and which will release air pressure from the tool when disconnected from the supply source.

HOSES: Hose has a min. ID of 6 mm (1/4") and max. length of no more than 5 meters (17'). The supply hose should contain a fitting that will provide "quick disconnecting" from the male plug on the tool.

SUPPLY SOURCE: Use only clean regulated compressed air as a power source for the tool.

3-PIECE AIRSET (Air filter, Regulator, Oiler): Refer to TOOL SPECIFICATIONS for setting the correct operating pressure for the tool.

NOTE:
A filter will help to get the best performance and minimum wear from the tool because dirt and water in the air supply are major causes of wear in the tool.
Frequent, but not excessive, lubrication is required for the best performance. Oil added thru the air line connection will lubricate the internal parts.

5. INSTRUCTIONS FOR OPERATION

Read section titled "GENERAL SAFETY WARNINGS", "SAFETY WARNING"

1. BEFORE OPERATION

Check the following prior operation.

- 1 Wear Safety Glasses or Goggles.
- 2 Do not connect the air supply.
- 3 Inspect screw tightness.
- 4 Check operation of the contact arm & trigger if moving smoothly.
- 5 Connect the air supply.
- 6 Check the air-leakage. (The Tool must not have the air-leakage.)
- 7 Hold the Tool with finger-off the trigger, then push the contact arm against the work-piece. (The tool must not operate.)
- 8 Hold the Tool with contact arm free from work-piece and pull the trigger. (The Tool must not operate.)
- 9 Disconnect the air supply.



WARNING



2. OPERATION

Wear safety glasses or goggles. Danger to the eyes always exists due to the possibility of dust being blown up by the exhausted air or of a fastener flying up due to the improper handling of the tool. For these reasons, safety glasses or goggles shall always be worn when operating the tool.

The employer and/or user must ensure that proper eye protection is worn. Eye protection equipment must conform to the requirements of the Council Directive 89/686/EEC of 21 DEC. 1989 (American National Standards Institute, ANSI Z87.1) and provide both frontal and side protection.

The employer is responsible to enforce the use of eye protection equipment by the tool operator and all other personnel in the work area.

NOTE: Non-side shielded spectacles and face shields alone do not provide adequate protection.

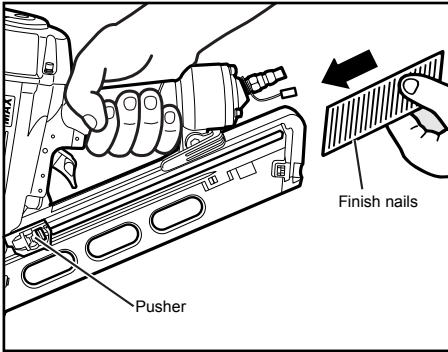


WARNING

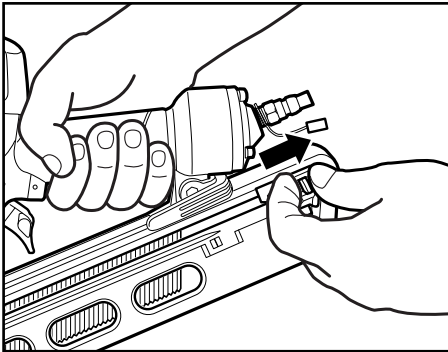


Keep hands and body away from the discharge outlet when driving the fasteners because of dangerous of hitting the hands or body by mistake.

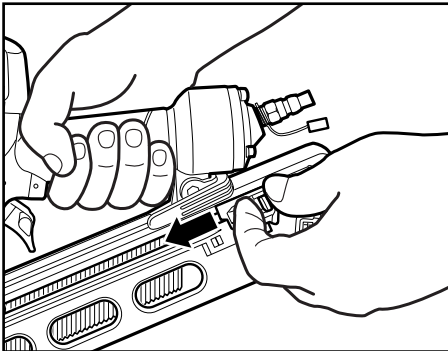
NAIL LOADING



- ① Insert the finish nails into the magazine.



- ② Pull back the pusher.



- ③ Release and return the pusher.

TEST OPERATION

- ① Adjust the air pressure at 5 bar (70p.s.i.) and connect the air supply.
- ② Without touching the trigger, depress the contact arm against the work-piece. Pull the trigger (The tool must fire the fastener.)
- ③ With the tool off the work-piece, pull the trigger. Then depress the connect arm against the work-piece. (The tool must fire the fastener when you select contact actuation.)
- ④ Adjust the air pressure as much as the lowest possible according the length of fastener and the hardness of work piece.

AIR HOSE CONNECTION

Connect the air chuck to the air plug.



WARNING

When connecting the air chuck, do not point the nail discharge outlet at any part of your body or at another person, and do not touch the trigger.

DRIVING FASTENERS

NOTE :

This tool is shipped with SEQUENTIAL TRIP selected.

SEQUENTIAL TRIP

The Sequential Trip requires the operator hold the tool against the work before pulling the trigger.

This makes accurate fastener placement easier, for instance on framing, toe nailing and crating applications.

The Sequential Trip allows exact fastener location without the possibility of driving a second fastener on recoil, as described under "Contact Trip".

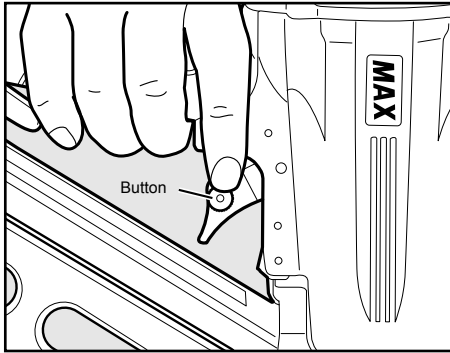
The Sequential Trip Tool has a positive safety advantage because it will not accidentally drive a fastener if the tool is contacted against the work or anything else-while the operator is holding the trigger pulled.

Switching SEQUENTIAL TRIP to CONTACT TRIP

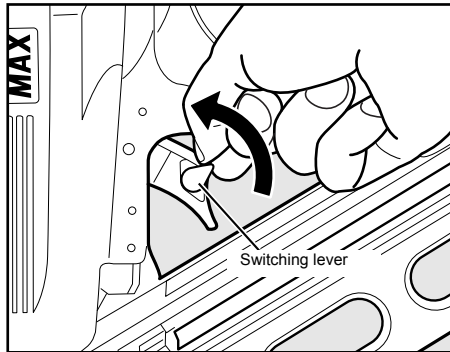


WARNING

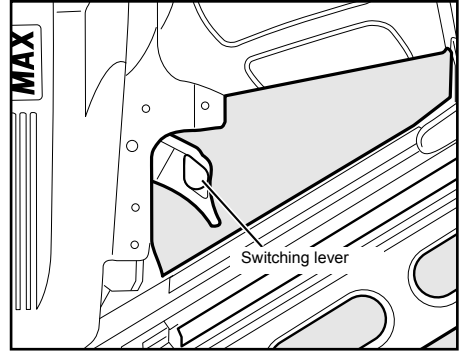
ALWAYS disconnect air supply before switching the triggering method.



① Press the button on the trigger.



② Turn the switching lever in the direction of the arrow.

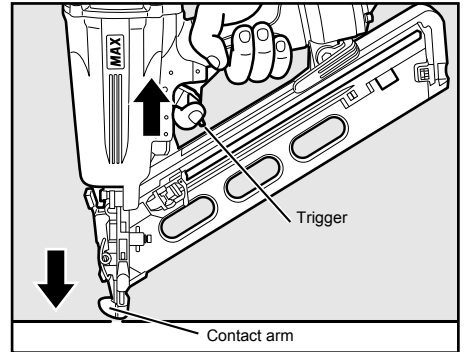


③ Set the switching lever as above picture.

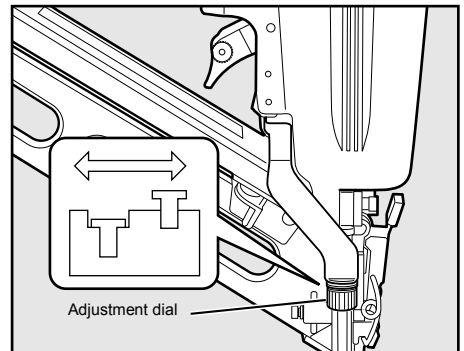
CONTACT TRIP

The common operating procedure on "Contact Trip" tools is for the operator to contact the work to actuate the trip mechanism while keeping the trigger pulled, thus driving a fastener each time the work is contacted.

All pneumatic tools are subject to recoil when driving fasteners. The tool may bounce, releasing the trip, and if unintentionally allowed to recontact the work surface with the trigger still actuated (finger still holding trigger pulled) an unwanted second fastener will be driven.



DRIVING DEPTH ADJUSTMENT DIAL



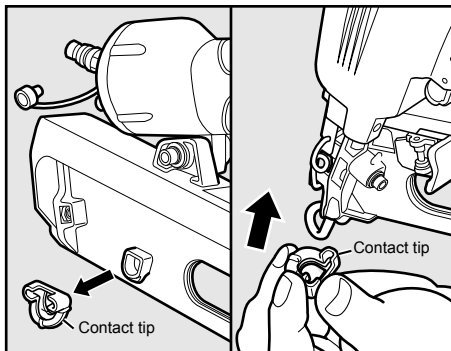


WARNING

ALWAYS disconnect air supply before adjusting adjustment dial.

- ① If an adjustment is required, disconnect air supply.
- ② Refer to the figure for direction to turn the dial.
- ③ Reconnect air supply.

THE CONTACT TIP

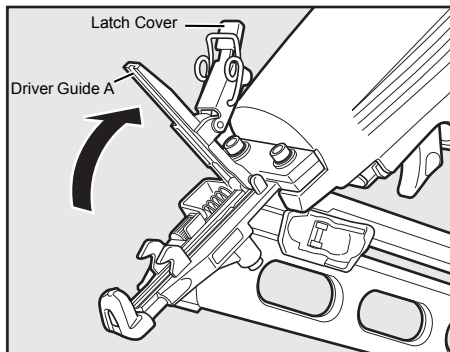


WARNING

ALWAYS disconnect air supply before setting the contact tip. Set the contact tip on the top of the contact arm, when driving nails to a soft material.

Use the contact tip at the back of the rear side of the magazine as necessary.

CLEARING JAMMED NAILS

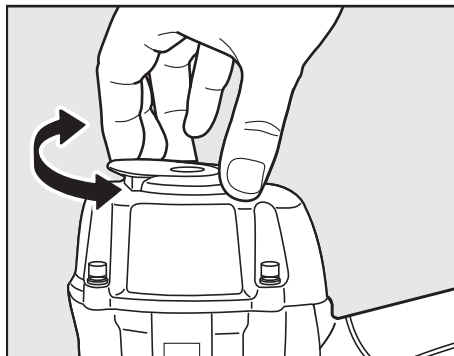


WARNING

ALWAYS disconnect air supply before clearing jammed nails.

- ① Disconnect the air hose.
- ② Remove the set of nails from the magazine.
- ③ Open the Latch Cover, then pull up to open the Driver Guide A.
- ④ Clear the nails-jammed inside the driver guide using a thin iron bar or a flat-blade screw driver.
- ⑤ Close the Driver Guide A and the Latch Cover.

DIRECTIONAL EXHAUST COVER



WARNING

ALWAYS disconnect air supply before rotating the exhaust cover.

Direction of the exhaust air is changeable by rotating exhaust cover by hand.

6. MAINTENANCE

1 ABOUT PRODUCTION YEAR

This product bears production number at the lower part of the grip of the main body. The two digits of the number from left indicates the production year.

(Example)

1 6 8 2 6 0 3 5 D



Year 2016

2 DO NOT FIRE THE NAILER WHEN IT IS EMPTY

3 USE A 3-PIECE AIRSET

Failure to use a 3-piece airset allows the moisture and dirt inside compressor to pass into the tool directly. This causes rust and wear, and results in a poor operating performance. The hose length between airset and tool should be no longer than 5 m since a longer length results in a reduction in air pressure.

4 USE RECOMMENDED OIL

The spindle or turbine oil should be used to lubricate the tool. Upon completion of operations, place 2 or 3 drops of oil into the air plug inlet with the oiler. (Recommended Oil : ISO VG32)

5 INSPECT AND MAINTAIN DAILY OR BEFORE OPERATION



WARNING

Disconnect air supply and empty the magazine when inspecting or maintaining the tool.

- (1) Drain air line filter and compressor
- (2) Keep lubricator filled in air 3-pieces set
- (3) Clean filter element of air 3-pieces set
- (4) Tighten all screws

7. STORAGE

- 1 When not in use for an extended period, apply a thin coat of the lubricant to the steel parts to avoid rust.
- 2 Do not store the tool in a cold weather environment. Keep the tool in a warm area.
- 3 When not in use, the tool should be stored in a warm and dry place. Keep out of reach of children.
- 4 All quality tools will eventually require servicing or replacement of parts because of wear from the normal use.

8. TROUBLE SHOOTING/REPAIRS

The troubleshooting and/or repairs shall be carried out only by the MAX CO., LTD. authorised distributors or by other specialists with specified spare parts.

NF665A/15

EC DECLARATION OF CONFORMITY

We hereby declare that the product titled in this instruction manual conforms to the essential health and safety requirements of EC Directives as below.

Directive :Machinery Directive 2006/42/EC
Manufacturer :MAX CO.,LTD.
1848 Kawai, Tamamura, Sawa-gun,
Gunma 370-1117 Japan

This product has been evaluated for conformity with the above directives using the following European standards.

Machinery Directive :EN ISO 12100:2010
EN792-13 :2000+A1 :2008
Title :General Manager,MAX CO.,LTD.
Address :1848 Kawai, Tamamura, Sawa-gun,
Gunma 370-1117 Japan
Authorised complier :MAX.EUROPE BV/President in
the community Camerastraat 19,1322 BB
Almere, The Netherlands

EG KONFORMITÄTSERKLÄRUNG

Wir erklären hiermit, dass das in dieser Bedienungsanleitung beschriebene Produkt mit den maßgeblichen Gesundheits- und Sicherheitsvorschriften der EG-Richtlinien konform ist, wie nachstehend beschrieben.

Richtlinie : Maschinenrichtlinie 2006/42/EC
Hersteller :MAX CO.,LTD.
1848 Kawai, Tamamura, Sawa-gun,
Gunma 370-1117 Japan

Dieses Produkt wurde auf Konformität mit den obigen Richtlinien unter Einhaltung der folgenden europäischen Normen geprüft.

Maschinenrichtlinie :EN ISO 12100:2010
EN792-13 :2000+A1 :2008
Position : Generaldirektor,MAX CO.,LTD.
Adresse :1848 Kawai, Tamamura, Sawa-gun,
Gunma 370-1117 Japan

Autorisierter Entsorger :MAX.EUROPE BV/Präsident in der Gemeinschaft
Camerastraat 19, 1322 BB Almere, Holland

DÉCLARATION DE CONFORMITÉ CE

Nous déclarons par la présente que le produit du titre de ce manuel d' instructions est conforme aux exigences essentielles de santé et de sécurité des Directives CE décrites ci-dessous.

Directive : Directive de Mécanique 2006/42/CE
Fabricant :MAX CO., LTD.
1848 Kawai, Tamamura, Sawa-gun,
Gunma 370-1117 Japon

Ce produit a été évalué pour sa conformité aux directives ci-dessus en utilisant les standards Européens suivants.

Directive de Mécanique :EN ISO 12100:2010
EN792-13 :2000+A1 :2008

Titre :Directeur Général,MAX CO., LTD.
Adresse :1848 Kawai, Tamamura, Sawa-gun,
Gunma 370-1117 Japon

Agent de conformité agréé :MAXEUROPE BV/Président dans
la communauté Camerastraat 19,
1322 BB Almere, Pays-Bas

DICHIARAZIONE DI CONFORMITÀ CE

Si dichiara qui che il prodotto riferito in questo manuale di istruzioni risulta conforme ai requisiti di base concernenti la salute e la sicurezza, espressi dalle direttive CE, come riportato di seguito.

Direttiva : Direttiva Macchine 2006/42/CE
Produttore :MAX CO., LTD.
1848 Kawai, Tamamura, Sawa-gun,
Gunma 370-1117 Giappone

Questo prodotto è stato valutato per la conformità con le succitate direttive, secondo i seguenti standard europei.

Direttiva Macchine :EN ISO 12100:2010
EN792-13 :2000+A1 :2008
Titolo : Direttore generale,MAX CO., LTD.
Indirizzo :1848 Kawai, Tamamura, Sawa-gun,
Gunma 370-1117 Giappone
Sede in Europa :MAX.EUROPE BV/Presidente della società
MAX.EUROPE Camerastraat 19,
1322 BB Almere, Olanda

DECLARACIÓN EC DE CONFORMIDAD

Por este medio declaramos que el producto mencionado en este manual de instrucciones se encuentra en conformidad con los requerimientos de salud y de seguridad esenciales de las Directivas CE.

Directiva : Directiva sobre Maquinaria 2006/42/CE
Fabricante :MAX CO., LTD.
1848 Kawai, Tamamura, Sawa-gun,
Gunma 370-1117 Japón

Este producto ha sido evaluado en conformidad con las directivas antes mencionadas usando los estándares de Europa.

Directiva sobre maquinaria :EN ISO 12100:2010
EN ISO 12100-2(EN292-2)
EN792-13 :2000+A1 :2008

Título :Gerente general,MAX CO., LTD.
Dirección :1848 Kawai, Tamamura, Sawa-gun,
Gunma 370-1117 Japón

Complier autorizado :MAX.EUROPE BV/Presidente de la comunidad
Camerastraat 19,1322 BB Almere, Holanda

- The content of this manual might be changed without notice for improvement.
 - Änderungen der Betriebsanleitung zum Zwecke der Verbesserung ohne Ankündigung vorbehalten.
 - Le contenu de ce manuel est sujet a modification sans preavis a des fins d'amelioration.
 - I contenuti di questo manuale possono essere cambiati senza preavviso per motivi di miglioramento del prodotto.
 - El contenido de este manual puede ser cambiado sin noticia previa para mejoramiento.
-
- The specifications and design of the products in this manual will be subject to change without advance notice due to our continuous efforts to improve the quality of our products.
 - Änderungen bei technischen Daten und Design der Produkte in diesem Handbuch im Sinne der Produktverbesserung bleiben vorbehalten.
 - Les caractéristiques et la conception des produits mentionnés dans ce manuel sont sujettes à des modifications sans préavis en raison de nos efforts continus pour améliorer la qualité de nos produits.
 - Le caratteristiche e la concezione dei prodotti menzionati in questo manuale sono soggette a modifiche senza preavviso a causa dei nostri sforzi continui per migliorare la qualità dei nostri prodotti.
 - Las características y la concepción de los productos mencionados en este manual están sujetas a modificaciones sin preaviso debido a nuestros esfuerzos continuos para mejorar la calidad de nuestros productos.



MAX EUROPE BV

Camerastraat 19
1322 BB Almere The Netherlands
Phone: +31-36-546-9669
FAX: +31-36-536-3985

wis.max-ltd.co.jp/int/ (GLOBAL Site)
www.max-europe.com (EUROPE Site)



4100099
150630-00/00

